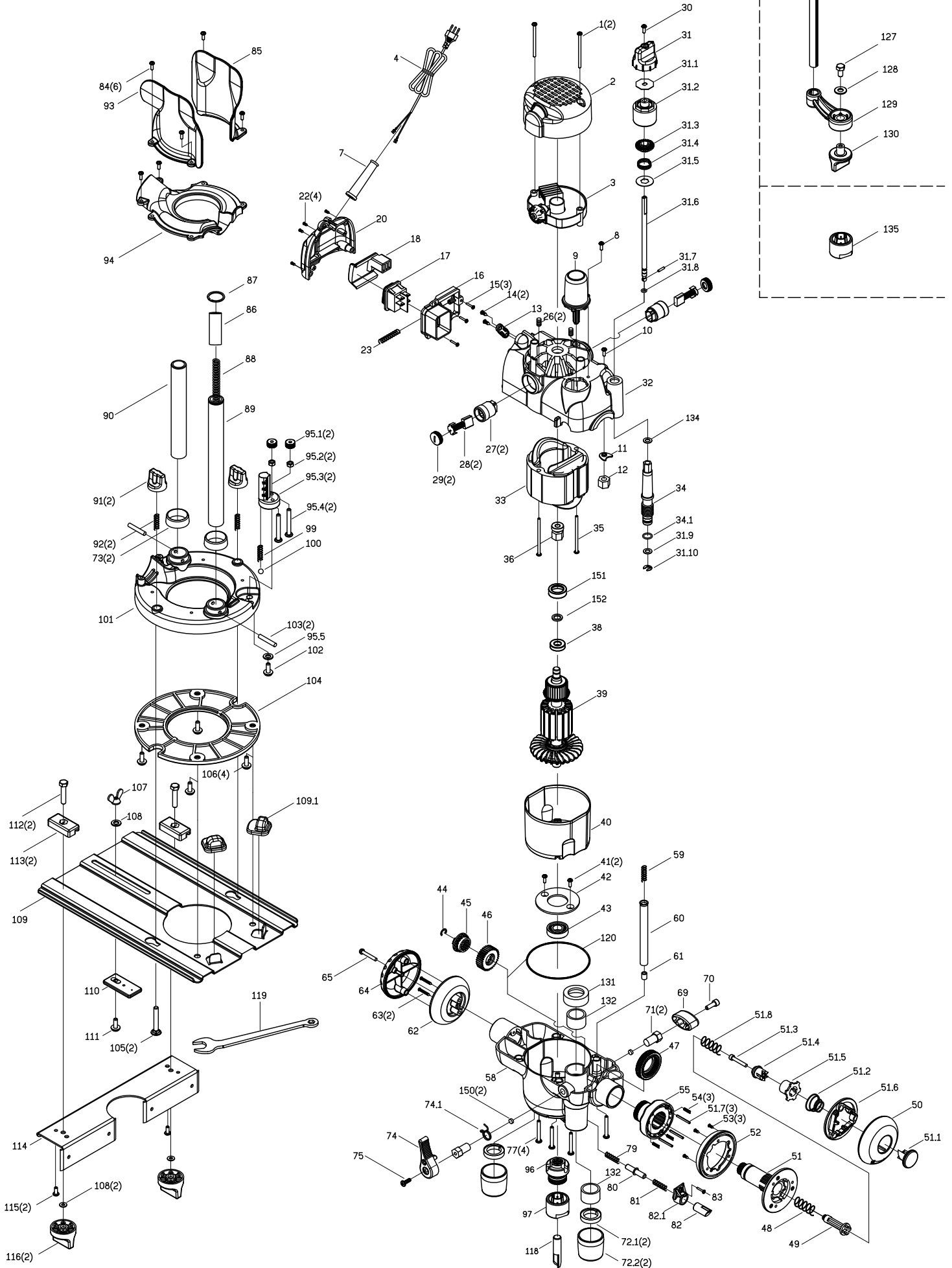




MOF001 - Plunge Router





MOF001 - Plunge Router

No.	Description	Qty
1	Screw Motor Top Cover	2
2	Motor Top Cover	1
3	Speed Controller	1
4	Power Cord	1
7	Cord Guard	1
8	Screw Rack Post Cap	1
9	Cap Rack Post	1
10	Screw Turret Wheel	1
11	Micro Adjust Pressure Plate	1
12	Nylon Nut	1
13	Cord Clamp	1
14	Self-Tapping Screw	2
15	Screw Switch Mount	3
16	Switch Mount	1
17	Water-proof Switch	1
18	Slide Cover	1
20	Switch Cover	1
22	Self-Tapping Screw	4
23	Spring Switch Cover	1
26	Set Screw	2
27	Brush Holder	2
28	Brush	2
29	Brush Cap	2
30	Pan Head Screw	1
31	Micro Adjust Knob Upper	1
31.1	Micro Torque Plate Washer	1
31.2	Micro Adjust Knob Lower	1
31.3	Micro Adjust Clutch	1
31.4	Micro Adjust Clutch Spring	1
31.5	Micro Adjust Clutch Hex Washer	1
31.6	Table Cranking Pin	1
31.7	Pin	1
31.8	O Ring 4.5mm	1
31.9	Flat Washer	1
31.10	E-Ring	1
32	Upper Motor body	1
33	Field Assy	1
34	Metal Worm Shaft	1



MOF001 - Plunge Router

No.	Description	Qty
34.1	O Ring 9.6mm	1
35	Self-Tapping Screw	2
36	Magnet Ring Mount Assy	1
38	Ball Bearing	1
39	Armature Assy	1
40	Fan Shroud	1
41	Lower Armature	2
42	Lower Armature Bearing Plate	1
43	Ball Bearing	1
44	E-Ring	1
45	Plunge Handle Clutch	1
46	Plunge Handle Clutch Pinion	1
47	Worm Wheel 2mm - 5/64" 1	1
48	Spring Plunge Handle Clutch Shaft	1
49	Plunge Handle Clutch Shaft	1
50	Plunge Handle Outer Rubberised	1
51	Plunge Handle Shaft	1
51.1	Plunge Select Push Button	1
51.2	Plunge Select Button Spring	1
51.3	Self-Tapping Screw	1
51.4	Plunge Handle Rotor	1
51.5	Plunge Handle Stator	1
51.6	Plunge Handle Lock Out	1
51.7	Pin	3
51.8	Spring Plunge Handle Rotor	1
52	Plunge Handle Inner	1
53	Self-Tapping Screw	3
54	Spring Release Ring	3
55	Micro Release Ring	1
58	Lower Motor Body	1
59	Spring Depth Stop Rod	1
60	Depth Stop Rod	1
61	Depth Stop Rod Plug	1
62	Fixed Handle Inner	1
63	Pan Head Screw	2
64	Fixed Handle Outer Rubberised	1
65	Screw	1
69	Knob Depth Stop	1



MOF001 - Plunge Router

No.	Description	Qty
70	Hex Socket Screw	1
71	Plunge Lock Bolt	2
72.1	Post Dust Seal Strip	2
72.2	Post Dust Seal Cap	2
73	Post Base Cap	2
74	Plunge Lock Lever	1
74.1	Spring Plunge Lock Lever	1
75	Screw Plunge Lock Bolt	1
77	Self-Tapping Screw	4
79	Inner Spring Shaft Lock	1
80	Shaft Lock Pin	1
81	Shaft Lock Button	1
82	Shaft Lock Button	1
82.1	Nose Shaft Lock	1
83	Pan Head Screw	1
84	Pan Head Screw	6
85	Chip Shield Vacuum Side	1
86	Liner Rack Post	1
87	Snap Ring Rack Post 20mm	1
88	Spring Pack Post	1
89	Rack Post	1
90	Smooth Post	1
91	Fence Attachment Knob	2
92	Spring Fence Attachment Knob	2
93	Chip Shield Turret Side	1
94	Vacuum Shield	1
95	Turret Assy	1
96	Collet Shaft	1
97	1/4" Collet	1
99	Spring Fence Attachment Knob	1
100	Turret Ball	1
101	Base	1
102	Self-Tapping Screw	1
103	Pin	2
104	Base Plate	1
105	M6X40mm Coach Bolt	2
106	Pan Head Screw	4
107	Butterfly Nut	1



M0F001 - Plunge Router

No.	Description	Qty
108	Washer Fence Circle	3
109	Fence Plate	1
109.1	Fence Adaptor	2
110	Fence Circle Slider	1
111	Screw Fence Circle Slider	1
112	Hex Screw	2
113	Fence Side Clamp	2
114	Fence Slide Face	1
115	Self-Tapping Screw	2
116	Fence Slide Knob	2
119	Wrench	1
120	O-Type Ring	1
124	Micro Height Universal	1
125	Micro Height Drive Tube	1
126	Micro Height Drive Tube	1
127	Self-Tapping Screw	1
128	Flat Washer	1
129	Micro Height Crank Arm	1
130	Micro Height Adjuster Knob	1
131	Rack Post Ring	1
132	Rack and Post Bush	2
134	Washer	1
135	8mm Collet	1
150	Copper Pad	2
151	Rubber Ring	1
152	Washer	1

